

INFORMATION

SHICK TUBE-VEYOR CORPORATION'S Automatic Air Valves

are used as a means to direct clean air from a low pressure or low vacuum source to multiple points in a pneumatic conveying system. Typically, these valves are utilized as air bypass units, in-line relief, filter purge or on vacuum relief.

FEATURES

POSITIVE SEAL - Sealing surface is machined and then vulcanized to completely seal air ports thus preventing costly air loss.

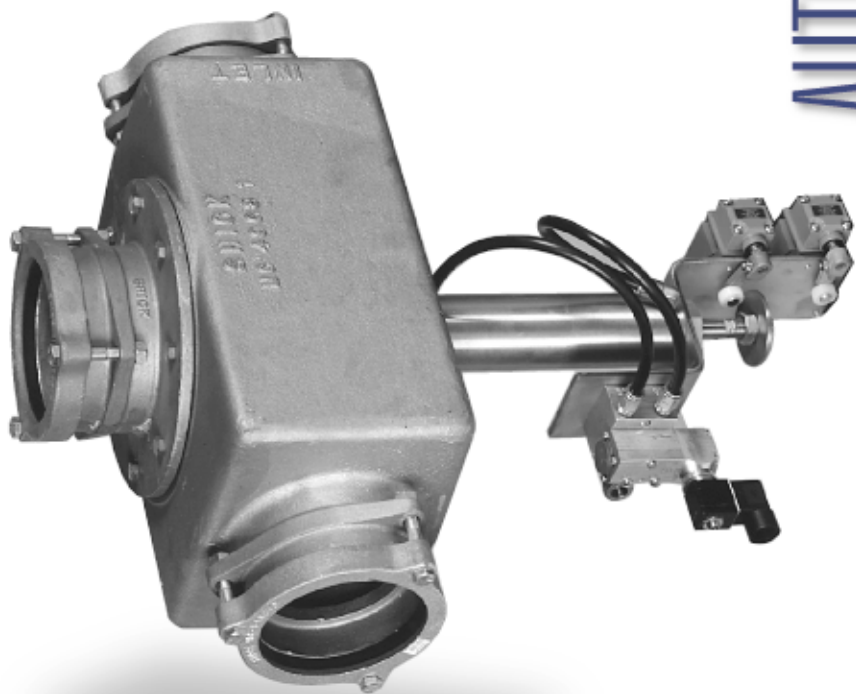
QUICK ACTING - Quick acting cylinder actuates internal seal plate quickly and effectively to divert air in the desired direction.

RUGGED CONSTRUCTION - Cast aluminum housing is designed for long life and requires little or no maintenance.

EASY INSTALLATION - Using valve mounted compression fitting for airtight tube installation.

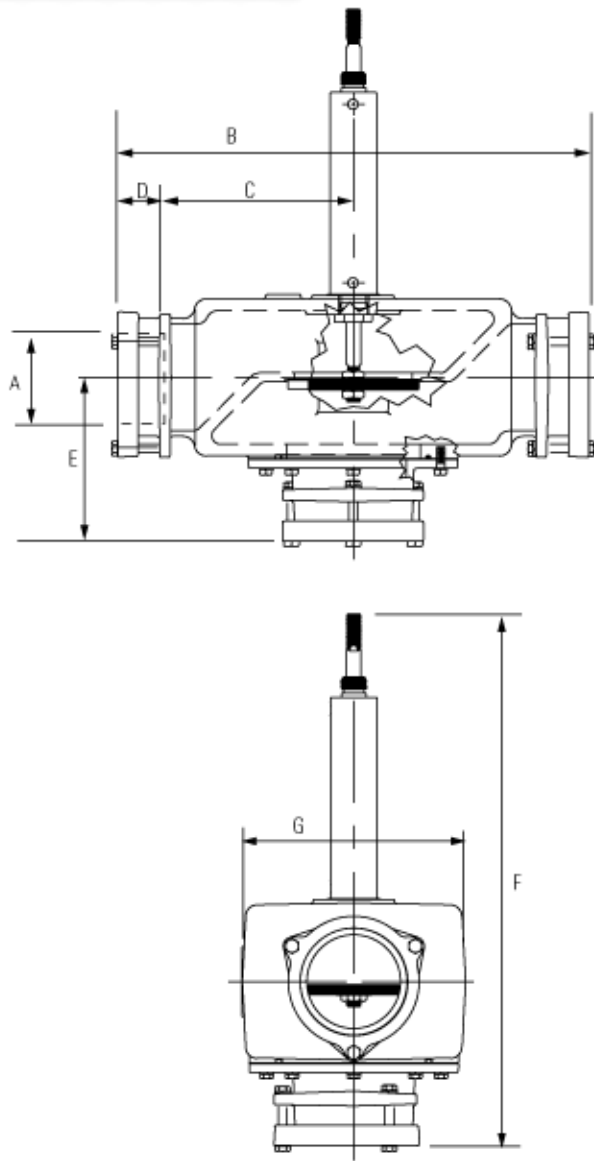
NEMA - 4 & 9 standard, 4X and 7 available.

AIR CYLINDER - Specially designed, small bore cylinder is efficiently sized for dependable and economical performance.

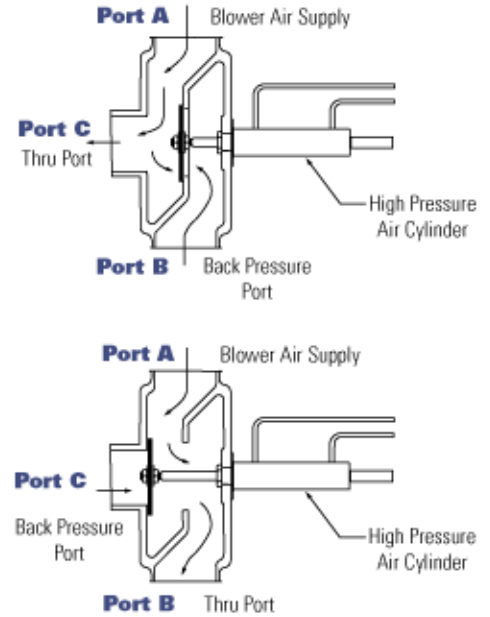


AUTOMATIC AIR VALVE

SCHEMATICS



OPERATION



NOTES:

1. Compressed air requirements is 80 to 125 PSIG.
2. Units supplied with Air Cylinder, Solenoid, and appropriate transitions.
3. Electrical impulse can be relayed by a level switch, pressure or vacuum switch or other applicable electrical device.
4. When electrical signal is interrupted, the valve returns to the predetermined rest position.
5. All dimensions are nominal.

DIMENSIONS - UNIT

AAV	Weights Lbs.	Air Usage	A In/mm	B In/mm	C In/mm	D* In/mm	E In/mm	F In/mm	G In/mm
2"	26	1	2.4/60	13.6/346	5.3/133	1.6/40	5.8/148	18/457	6.3/159
4"	52	1	4.5/114	19.8/502	8.3/211	1.6/40	6.8/173	23/584	9.3/235
6"	58	1	6.6/168	22.8/578	8.8/224	2.6/65	9.6/245	26.9/684	8.8/222

*Typical pipe insertion depth.

HEADQUARTERS:

Shick Tube-Veyor Corporation
4346 Clary Boulevard, Kansas City, MO 64130
P (816) 861-7224 / F (816) 921-1901

Shick Tube-Veyor Asia Pacific PTE LTD
32 Ang Mo Kio Industrial Park 2
#02-03 Sing Industrial Complex, Singapore 569510
Tel: (65) 4824600 Fax: (65) 4818255

Information on this page is subject to change without notice. For additional information on this and other Shick Tube-Veyor products and services, please call Shick directly or your local representative.

REPRESENTED BY:

